

## Line Feed

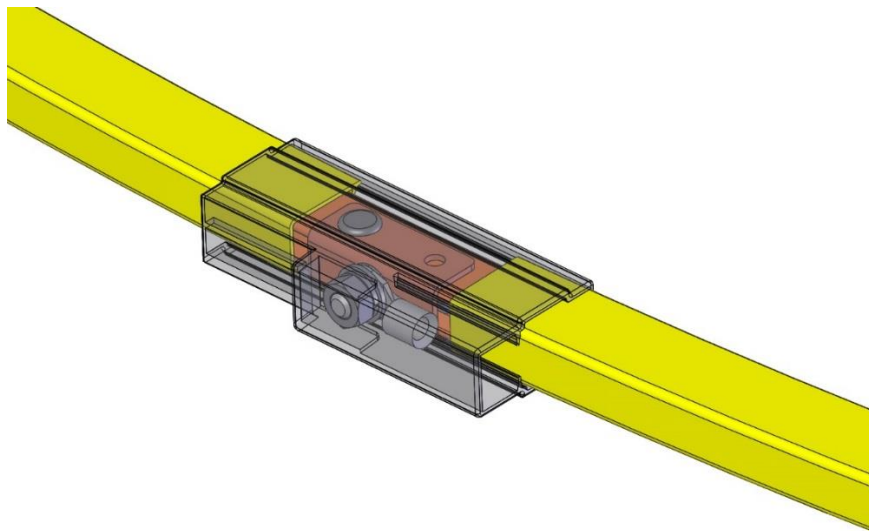
### SingleFlexLine Program 0815

---

---

**Order Number:**  
08-E015-0570

---



## Line Feed

### SingleFlexLine Program 0815

---

## 1 Technical Data

---

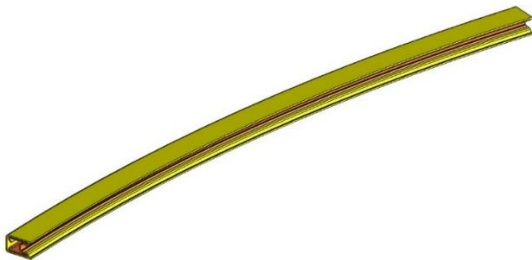
- For straight and bended rails  $r \geq 1000$  mm
  - $I_{max} = 54$  A
  - Cable Cross Section = 4-6 mm<sup>2</sup>
- 

## 2 Installation

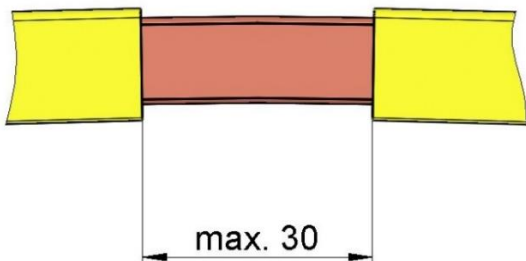
---

### Work steps:

1. Bend the rail to the desired radius (see BAL0800-0004).

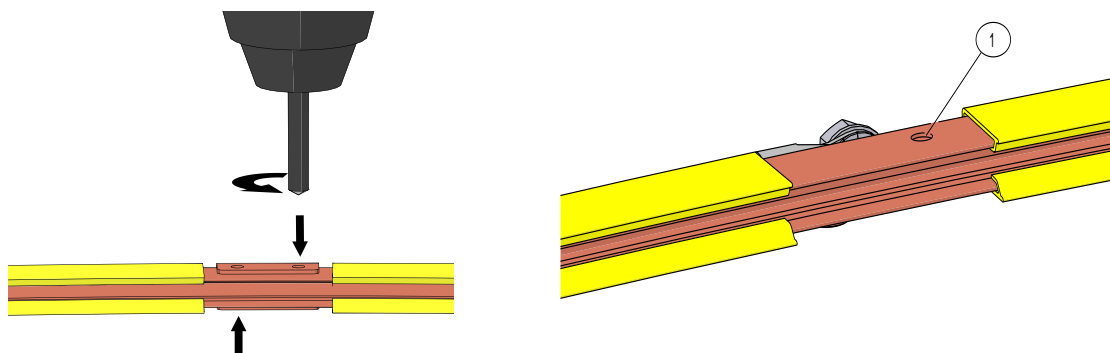


2. Cut the insulation profile on the needed position.



3. Put the U-plate on the right position and drill a hole with  $\varnothing = 3.1$  mm (one hole on each side with a staggered arrangement).

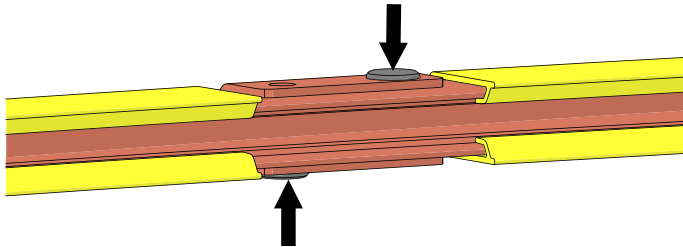
**Notice:** The holes (1) for the blind rivets are no through holes!



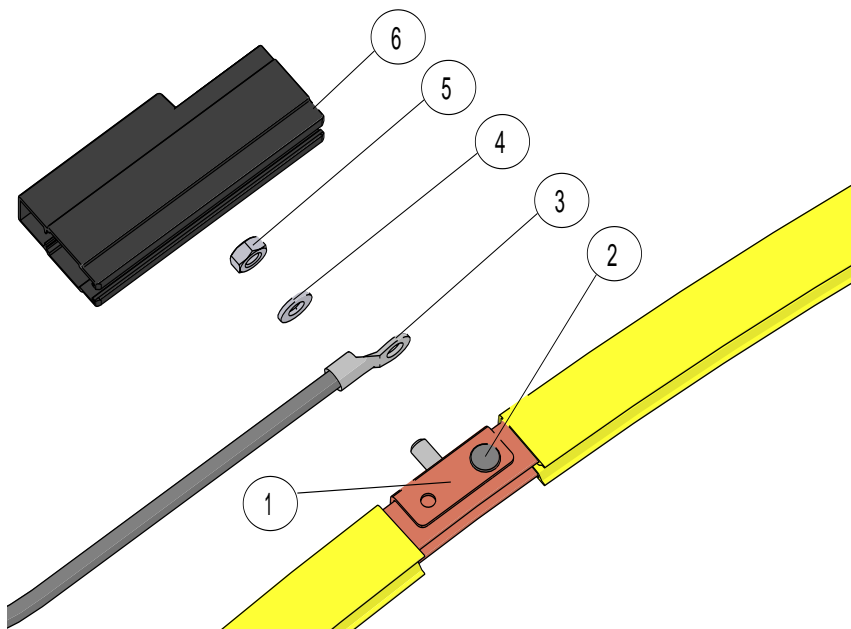
## Line Feed

### SingleFlexLine Program 0815

- Put a blind rivet at each side, notice a staggered arrangement.



- Crimp the cable and cable lug.
- Consider the required arrangement of small parts and fix it with the hexagon nut. **Tighten the screw with 2 Nm.**



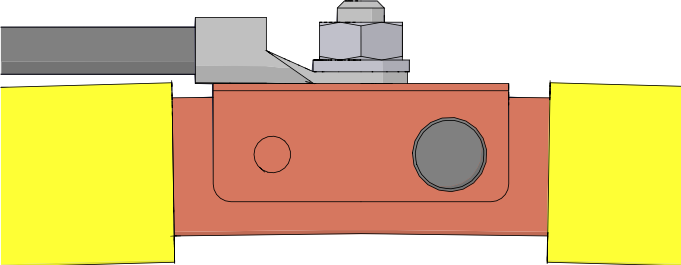
All parts included in delivery!

Pos.	Description
1	Contact Plate Line Feed 0815
2	Blind Rivet Copper/Bronze Ø3x5 Flat Head
3	Cable Lug M4/6mm <sup>2</sup>
4	Detent-Edged Washer SHB-K-D4, 1-A4
5	Hexagon Nut DIN934-M4-A4
6	Power Feed Cover 0815 SP

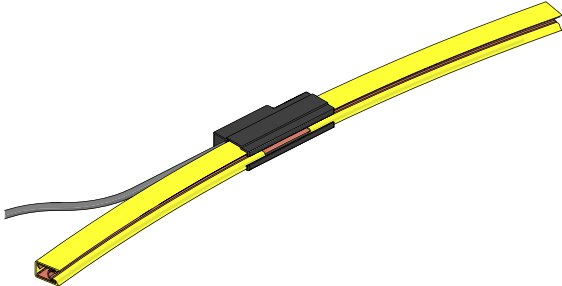
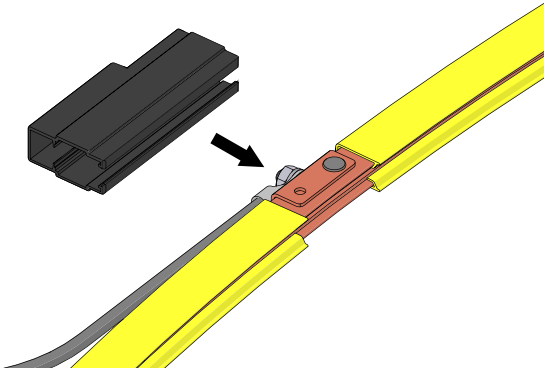
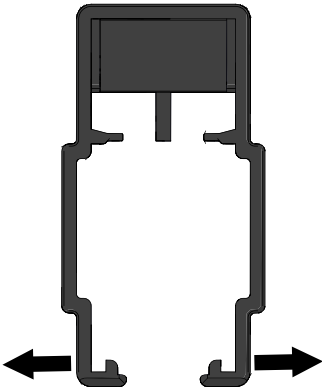
## Line Feed SingleFlexLine Program 0815

---

7. After the assembly it should be like following:



8. After the cable was connected, put the feed cap over the feeding point and consider the direction for the cable.

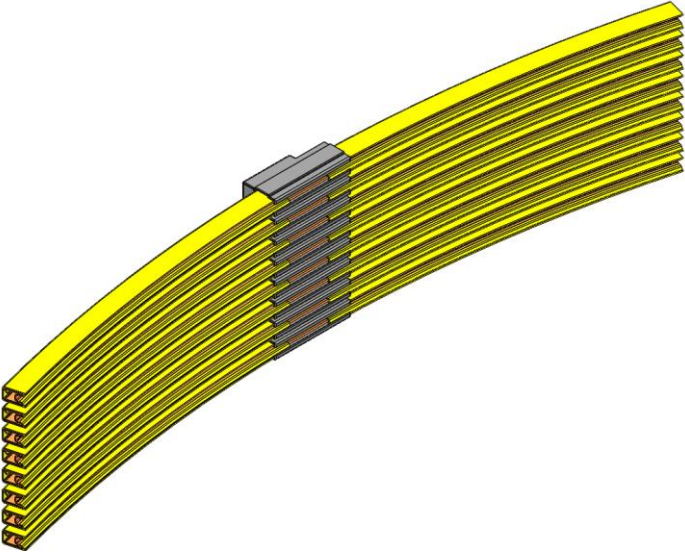
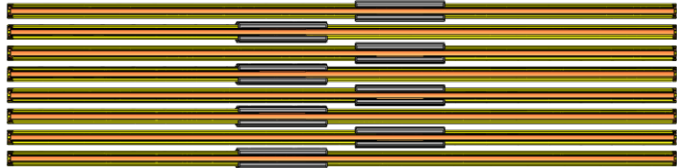
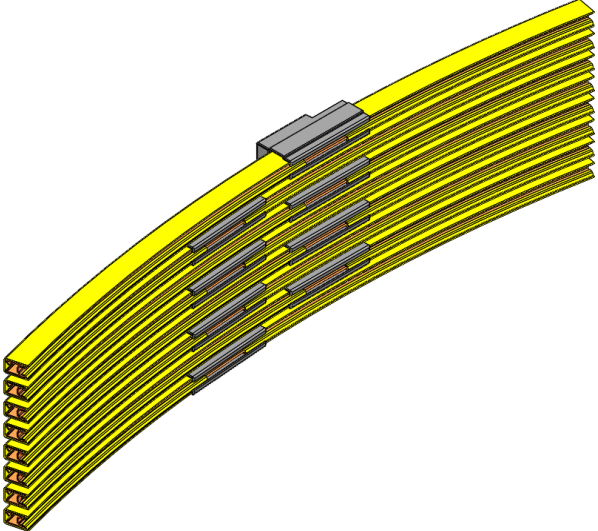


Line Feed

SingleFlexLine Program 0815

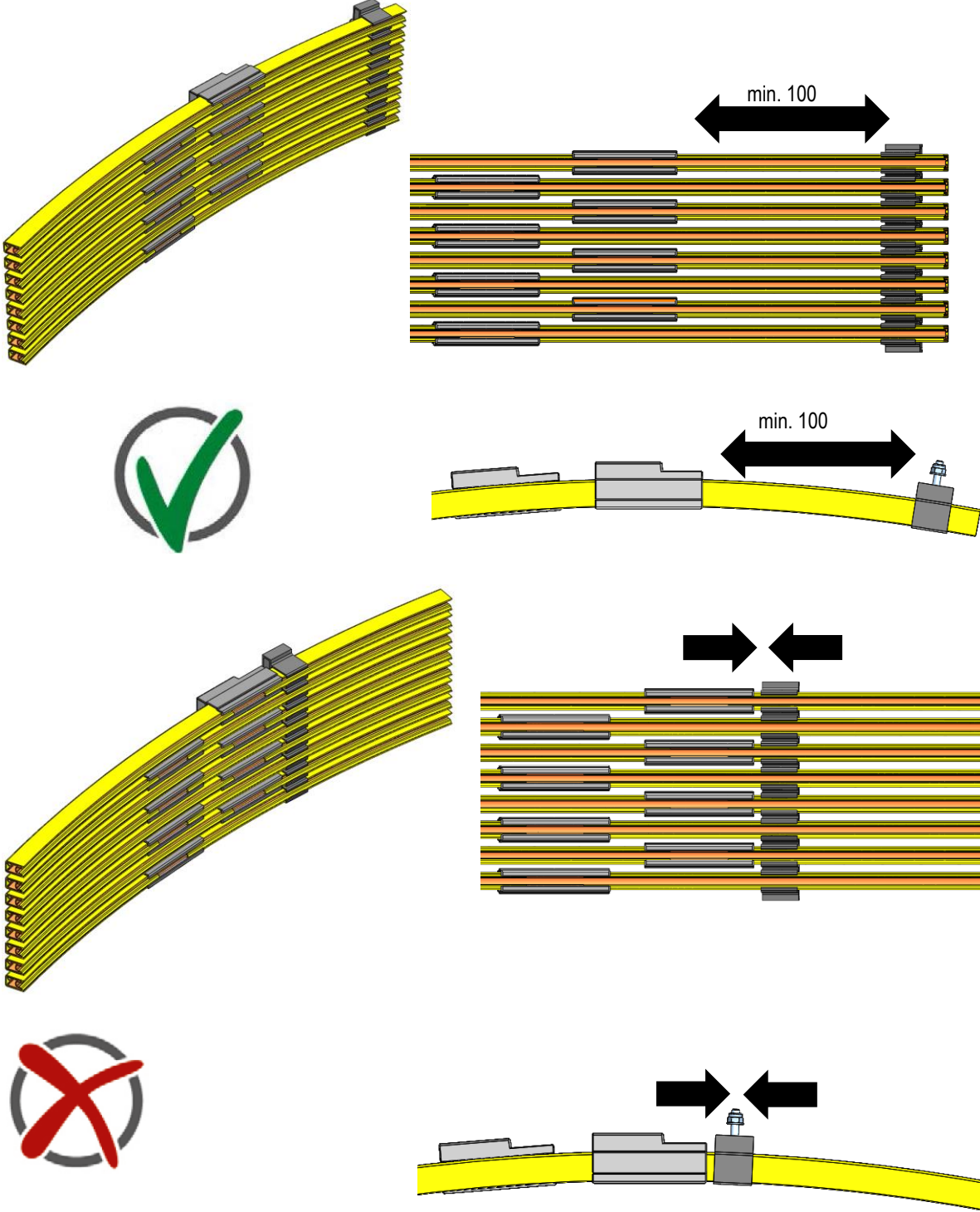
---

9. Installation position (feed offset): Mount the power feeds with an offset



Line Feed  
SingleFlexLine Program 0815

10. Do not mount the power feeds directly next to the hanger clamp.



## Line Feed

### SingleFlexLine Program 0815

---

**Conductix-Wampfler GmbH**  
Rheinstraße 27 + 33  
79576 Weil am Rhein - Märkt  
Germany

Phone: +49 (0) 7621 662-0  
Fax: +49 (0) 7621 662-144  
info.de@conductix.com  
www.conductix.com